

|                               |     |     |     |     |     |
|-------------------------------|-----|-----|-----|-----|-----|
| i =                           | 3   | 4   | 5   | 7   | 10  |
| nominal output torque (Nm)    | 150 | 230 | 200 | 120 | 105 |
| max. acceleration torque (Nm) | 260 | 300 | 275 | 200 | 180 |
| emergency torque (Nm)         | 300 | 480 | 480 | 480 | 410 |

output shaft bearing: grooved ball bearing 2RS

- max. radial load: 4.600N bei n2=100 1/min Lh > 10.000h
- max. axial load: 4.000N bei n2=100 1/min Lh > 10.000h
- reference to shaft center at temp. = 30°C

straight-toothed planetary gearbox  
backlash at output shaft: ≤ 7 arcmin  
lifetime: > 30.000h

efficiency: by rated load 94% (depends on ratio)

lubrication: lifetime-lubrication

nominal output torque at n1 = 3.000 1/min

operating temperature: -20°C bis +90°C

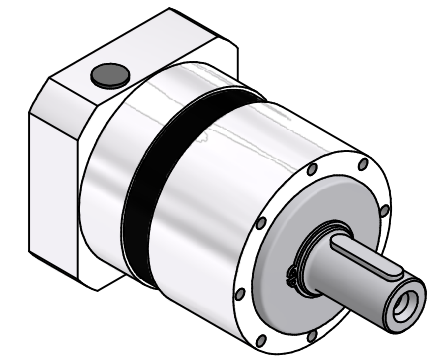
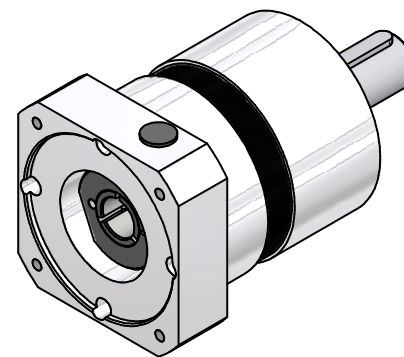
motor mounting: M2 (stocked driving pinion)

- torque of clamping screw: 25Nm

operation mode: S1

operation ratio: cB1

protection system: IP54



consider mounting instruction  
subject to modifications

|   |  |                        |                        |                                  |
|---|--|------------------------|------------------------|----------------------------------|
| Allgemein-<br>toleranzen<br>ISO 2768-mK |  | Kanten<br>ISO<br>13715 | Maßstab 1 : 2          | (Gewicht)                        |
| Verwendungsbereich                      |  | Datum<br>13.05.2020    | Name<br>Kanz           | Werkstoff, Halbzeug<br>Generisch |
|   |  | Erst<br>27.05.2020     | Name<br>Kanz           | Rohteil-Nr.<br>EPL120X/1         |
|   |  | Freig.                 |                        | Modell-oder Gesenk-Nr.           |
|   |  | Kd-Fr.                 |                        |                                  |
| Zust. Änderungen Datum Name Ursprung    |  |                        | EPL120X/1              |                                  |
|   |  |                        | 401103100-1-E24-K-M466 |                                  |
|   |  |                        | Blatt<br>2 / 2         |                                  |
|   |  |                        | A2                     |                                  |