

i =	12	16	20	25	35	40	50	70	100
nominal output torque (Nm)	260	320	320	260	260	320	260	210	165
max. acceleration torque (Nm)	310	380	380	350	350	380	350	255	180
emergency torque (Nm)	400	480	480	480	480	480	480	480	410

output shaft bearing: grooved ball bearing 2RS

- max. radial load: 4.600N bei n2=100 1/min Lh > 10.000h
- max. axial load: 4.000N bei n2=100 1/min Lh > 10.000h
- reference to shaft center at temp. = 30°C

straight-toothed planetary gearbox

backlash at output shaft: ≤ 10 arcmin

lifetime: > 30.000h

efficiency: by rated load 92% (depends on ratio)

lubrication: lifetime-lubrication

nominal output torque at n1 = 3.000 1/min

operating temperature: -20°C bis +90°C

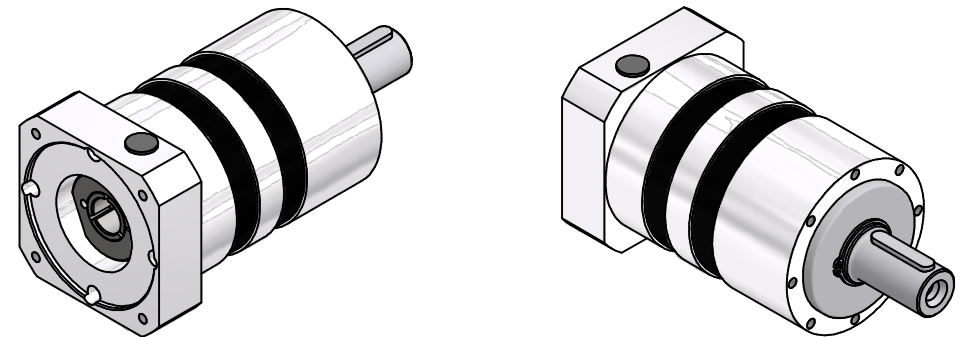
motor mounting: M2 (stocked driving pinion)

- torque of clamping screw: 25Nm

operation mode: S1

operation ratio: cB1

protection system: IP54



consider mounting instruction
subject to modifications

Allgemein- toleranzen ISO 2768-mK		Kanten ISO 13715	Maßstab 1:2	(Gewicht)
Verwendungsbereich		Datum 13.05.2020	Name Kanz	Generisch
		Erst 19.05.2020	Name Kanz	Werkstoff, Halbzeug EPL120X/2
		Freig.		Rohteil-Nr. Modell-oder Gesenk-Nr.
		Kd-Fr.		
		EISELE		401103100-2-E24-K-M4.66
				Blatt 2 / 2
Zust.	Änderungen	Datum	Name	Ursprung