

i =	12	16	20	25	35	40	50	70	100
nominal output torque (Nm)	110	139	139	118	118	139	118	100	64
max. acceleration torque (Nm)	160	163	163	138	138	163	138	125	80
emergency torque (Nm)	160	216	216	216	216	216	216	216	160

output shaft bearing: grooved ball bearing 2RS

- max. radial load: 2.400N bei n2=100 1/min Lh > 10.000h
- max. axial load: 1.900N bei n2=100 1/min Lh > 10.000h
- reference to shaft center at temp. = 30°C

straight-toothed planetary gearbox

backlash at output shaft: ≤ 12 arcmin

lifetime: > 30.000h

efficiency: by rated load 92% (depends on ratio)

lubrication: lifetime-lubrication

nominal output torque at n1 = 3.000 1/min

operating temperature: -20°C bis +90°C

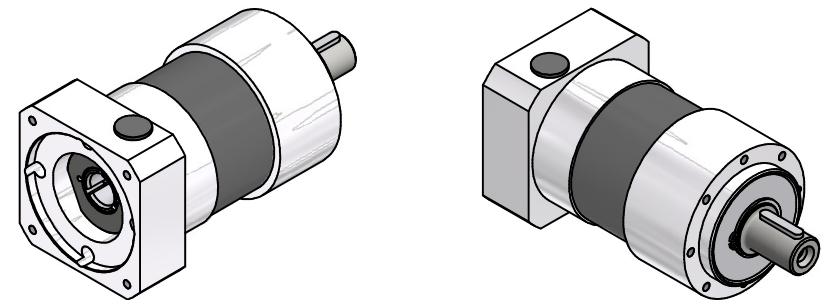
motor mounting: M2 (stocked driving pinion)

- torque of clamping screw: 10Nm

operation mode: S1

operation ratio: cB1

protection system: IP54



consider mounting instruction
subject to modifications

Allgemein- toleranzen ISO 2768-mK		Kanten ISO 13715	Maßstab 1:1 [Gewicht]	Werkstoff, Halbzeug Generisch
Verwendungsbereich		Datum 11.05.2020	Name Kanz	EPL90X/2
		Bearb. 13.05.2020	Name Kanz	
		Freg.		400803100-2-E19-K-M475
		Kd-Fr.		
Zust.	Änderungen	Datum	Name	Ursprung



Blatt
2 / 2
A2