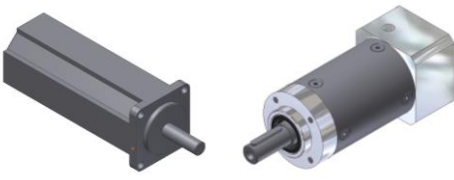
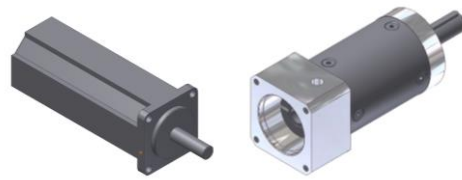

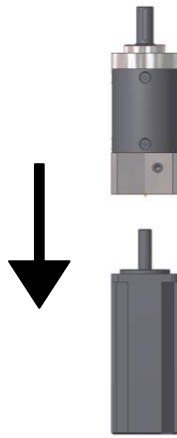
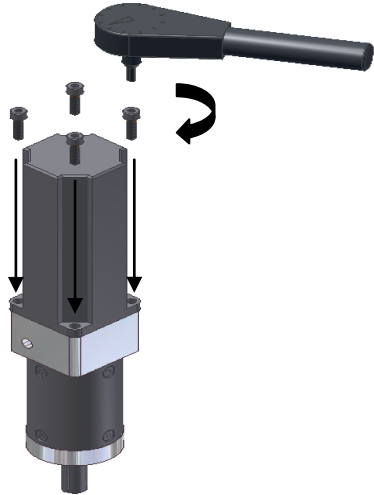
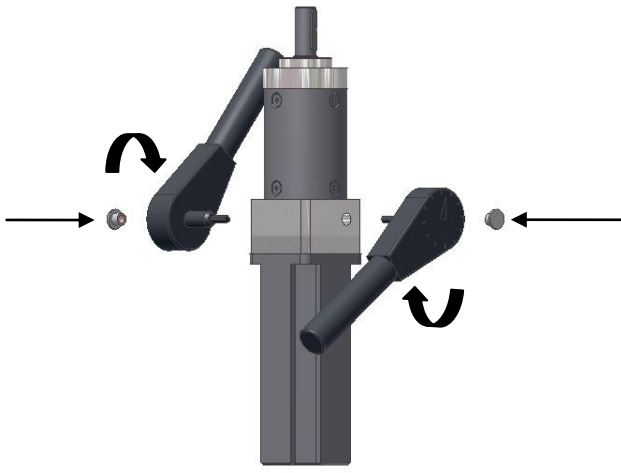


Assembly Instruction

EPL – Gearbox

EPL40



<p>1.</p>  <p>DIN 42955-N select correct motor (without keyway) select correct gearbox?</p>	<p>2.</p>  <p>free mounting parts from grease remove potential damages</p>
<p>3.</p>  <p>position clamping hub with clamping screws open both clamping screws</p>	<p>4.</p>  <p>preferred mounting direction: vertical fit motor in gearbox</p>
<p>5.</p>  <p>screws must be secured tighten crosswise AF 3mm screw tightening torque M_A 3,5 Nm</p>	<p>6.</p>  <p>tighten clamping screws in clamping hub AF 3mm, tightening torque M_A 3,5 Nm install sealing plugs</p>