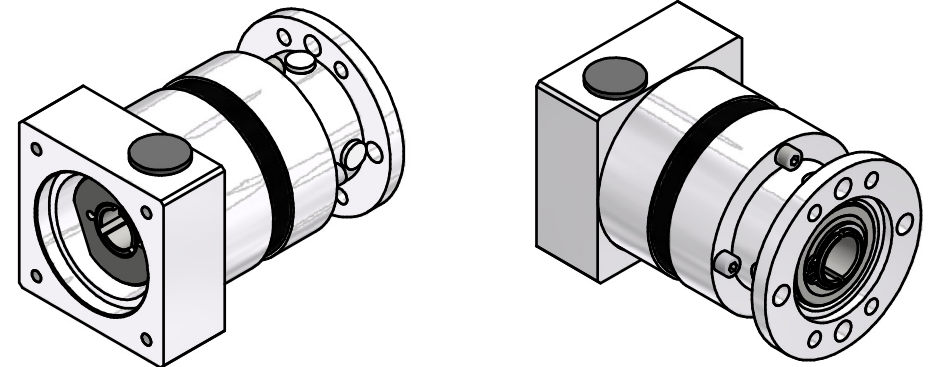


i =	3	4	5	7	10
nominal output torque (Nm)	20	26	26	26	16
max. acceleration torque (Nm)	36	44	44	44	24

output shaft bearing: deep groove ball bearings 2RS
 straight-toothed planetary gearbox
 backlash at output shaft: ≤ 10 arcmin
 lifetime: > 30.000h
 efficiency: by rated load 94% (depends on ratio)
 lubrication: lifetime-lubrication
 nominal output torque at n1 = 3.000 1/min
 operating temperature: -20°C bis +90°C
 motor mounting: M2 (stocked driving pinion)
 • torque of clamping screw: 6Nm
 operation mode: S1
 operation ratio: cB1
 protection system: IP54

consider mounting instruction
subject to modifications



		Allgemein- toleranzen	Kanten ISO	Maßstab 1 : 1	(Gewicht)
		ISO 2768-mK	13715	Werkstoff, Halbzeug	Generisch
Verwendungsbereich		Datum	Name	Rohteil-Nr.	
		Erst. 14.04.2022	Kanz	Modell- oder Gesenk-Nr.	
		Bearb. 19.04.2022	Kanz	EPL-H64/1	
		Freig.			
		Kd-Fr.			
				40060954-1-E14-K-M426	
				Blatt 2 / 2	
Zust.	Änderungen	Datum	Name	Ursprung	A3