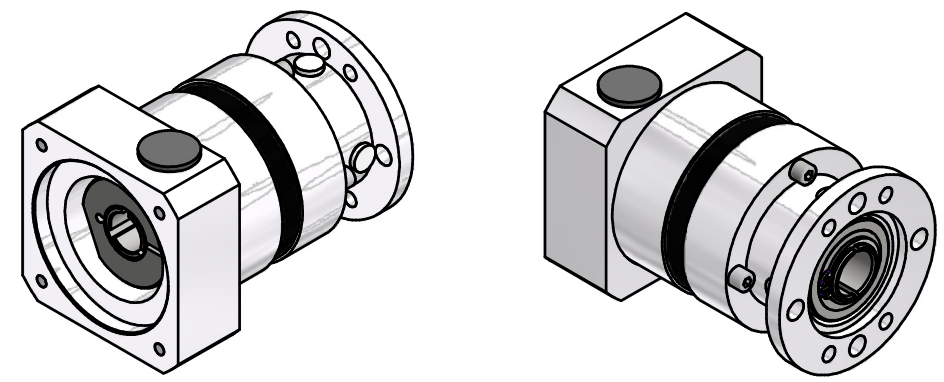


i =	3	4	5	7	10
nominal output torque (Nm)	20	26	26	26	16
max. acceleration torque (Nm)	36	44	44	44	24

output shaft bearing: deep groove ball bearings 2RS  
 straight-toothed planetary gearbox  
 backlash at output shaft: ≤ 10 arcmin  
 lifetime: > 30.000h  
 efficiency: by rated load 94% (depends on ratio)  
 lubrication: lifetime-lubrication  
 nominal output torque at n1 = 3.000 1/min  
 operating temperature: -20°C bis +90°C  
 motor mounting: M2 (stocked driving pinion)  
 • torque of clamping screw: 6Nm  
 operation mode: S1  
 operation ratio: cB1  
 protection system: IP54

consider mounting instruction  
 subject to modifications



		Allgemein- toleranzen	Kanten ISO	Maßstab 1 : 1	(Gewicht)
		ISO 2768-mK	13715	Werkstoff, Halbzeug	Generisch
Verwendungsbereich				Rohteil-Nr.	
		Datum	Name	EPL-H64/1	
		Erst. 14.04.2022	Kanz		
		Bearb. 19.04.2022	Kanz		
		Freig.			
		Kd-Fr.			
				40060954-1-E14-K-M430	
				Blatt 2 / 2	
Zust.	Änderungen	Datum	Name	Ursprung	A3