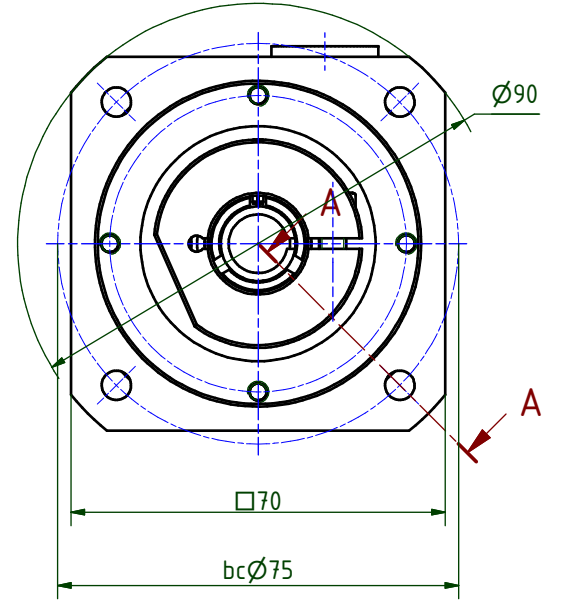
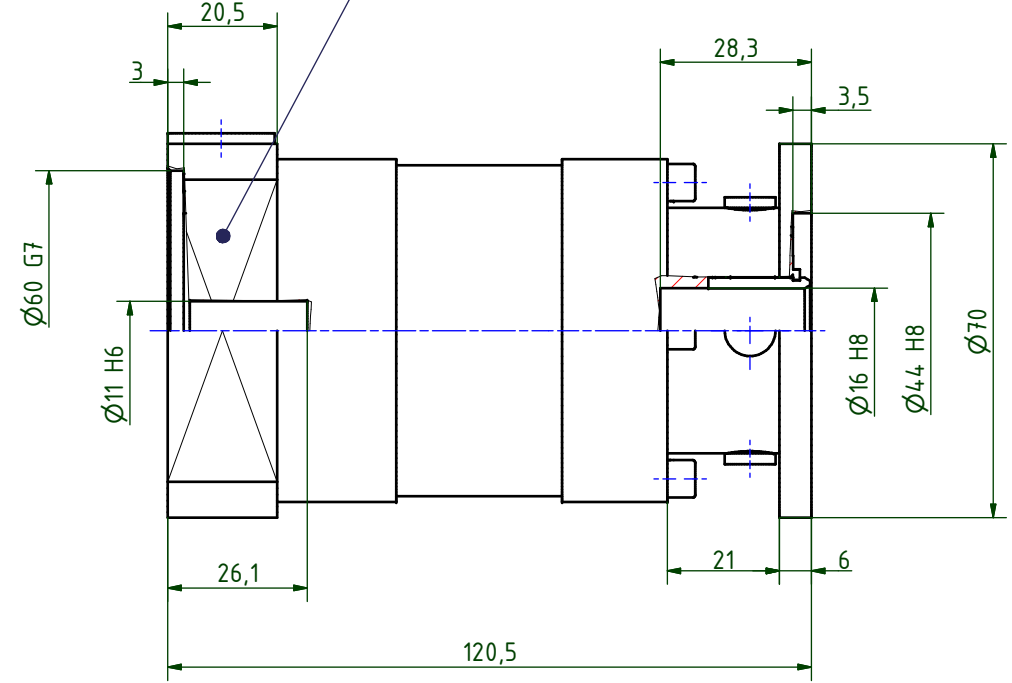
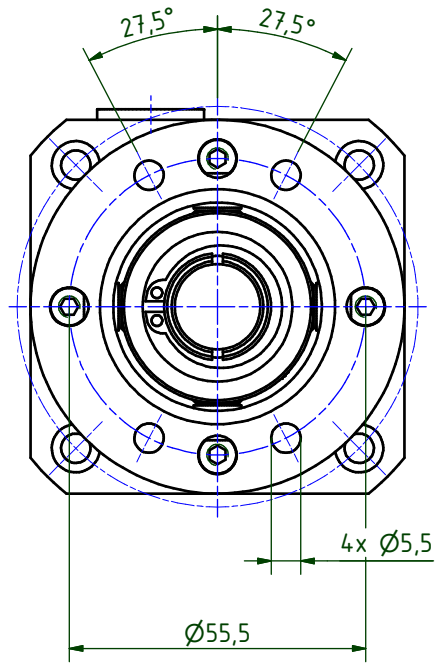
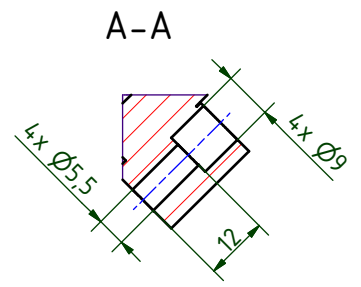
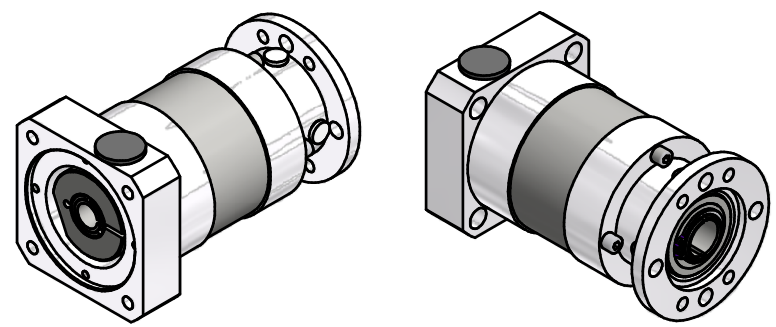


40640444 / P064M039  
ZØ60G7-TkØ75-4xØ5,5-Vk70



i =	12	16	20	25	35	40	50	70	100
nominal output torque (Nm)	36	42	42	44	44	42	44	42	18
max. acceleration torque (Nm)	45	52	52	55	55	52	55	52	28

output shaft bearing: deep groove ball bearings 2RS  
 straight-toothed planetary gearbox  
 backlash at output shaft: ≤ 14 arcmin  
 lifetime: > 30.000h  
 efficiency: by rated load 92% (depends on ratio)  
 lubrication: lifetime-lubrication  
 nominal output torque at n1 = 3.000 1/min  
 operating temperature: -20°C bis +90°C  
 motor mounting: M2 (stocked driving pinion)  
 • torque of clamping screw: 6Nm  
 operation mode: S1  
 operation ratio: cB1  
 protection system: IP54



consider mounting instruction  
subject to modifications

Allgemein-toleranzen		Kanten ISO	Maßstab 1 : 1	(Gewicht)
ISO 2768-mK		13715	Werkstoff, Halbzeug	Allgemein
Verwendungsbereich		Datum	Rohteil-Nr.	
		Name	Modell- oder Gesenk-Nr.	
		Erst. 14.04.2022	EPL-H64/2	
		Bearb. 20.04.2022		
		Freig.		
		Kd-Fr.		
		Eisele		Blatt 2 / 2
		40060954-2-E11-K-M444		A3
Zust.	Änderungen	Datum	Name	Ursprung