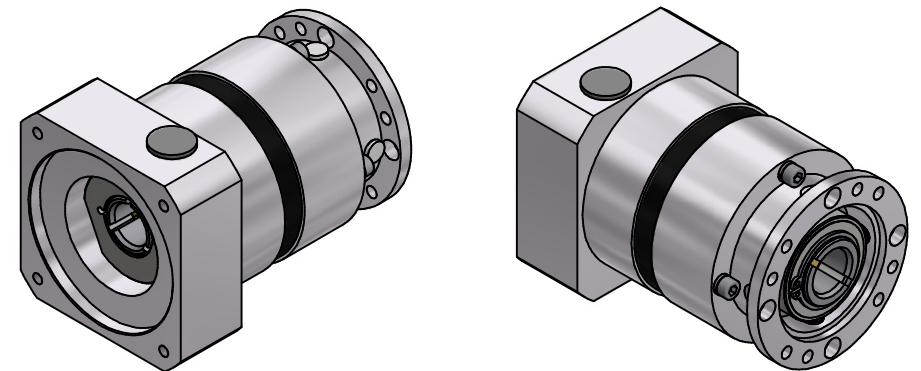


| | | | | | |
|-------------------------------|----|----|----|----|----|
| i = | 3 | 4 | 5 | 7 | 10 |
| nominal output torque (Nm) | 40 | 54 | 54 | 54 | 40 |
| max. acceleration torque (Nm) | 70 | 75 | 75 | 75 | 75 |

output shaft bearing: deep groove ball bearings 2RS
 straight-toothed planetary gearbox
 backlash at output shaft: ≤ 10 arcmin
 lifetime: > 30.000h
 efficiency: by rated load 94% (depends on ratio)
 lubrication: lifetime-lubrication
 nominal output torque at n1 = 3.000 1/min
 operating temperature: -20°C bis +90°C
 motor mounting: M2 (stocked driving pinion)

- torque of clamping screw: 9Nm

operation mode: S1
 operation ratio: cB1
 protection system: IP54



consider mounting instruction
subject to modifications

| | | | | | |
|----------------------|------------|-----------|-------------------------|-----------------------|-----------|
| Allgemein-toleranzen | | Kanten | Maßstab | 1 : 1 | (Gewicht) |
| ISO 2768-mK | | ISO 13715 | Werkstoff, Halbzeug | Generisch | |
| Verwendungsbereich | | Datum | Rohteil-Nr. | | |
| | | Erst | Modell- oder Gesenk-Nr. | | |
| | | Bearb. | EPL-H84/1 | | |
| | | Freig. | | | |
| | | Kd-Fr. | | | |
| | | EISELE | | 40080323-1-E19-K-M423 | |
| | | | | Blatt 2 / 2 | |
| Zust. | Änderungen | Datum | Name | Ursprung | A2 |