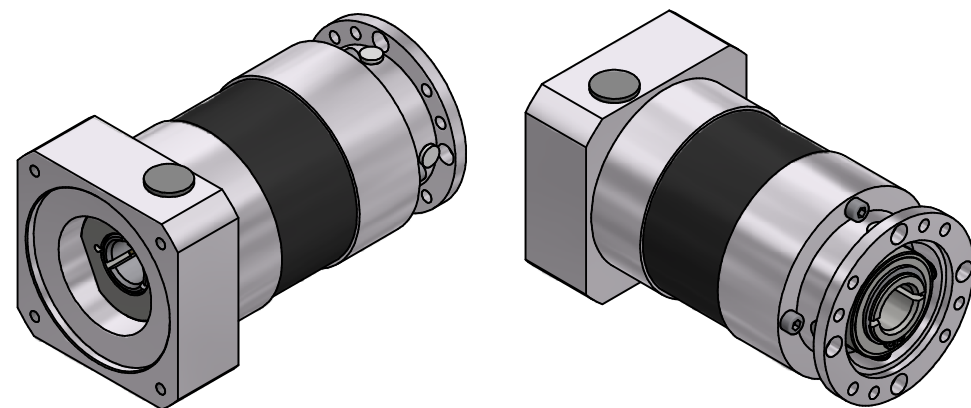


i =	12	16	20	25	35	40	50	70	100
nominal output torque (Nm)	55	65	65	65	65	65	65	65	65
max. acceleration torque (Nm)	75	80	80	80	80	80	80	80	80

output shaft bearing: deep groove ball bearings 2RS
 straight-toothed planetary gearbox
 backlash at output shaft: ≤ 14 arcmin
 lifetime: > 30.000h
 efficiency: by rated load 92% (depends on ratio)
 lubrication: lifetime-lubrication
 nominal output torque at n1 = 3.000 1/min
 operating temperature: -20°C bis +90°C
 motor mounting: M2 (stocked driving pinion)
 • torque of clamping screw: 9Nm
 operation mode: S1
 operation ratio: cB1
 protection system: IP54



consider mounting instruction
 subject to modifications

Allgemein- toleranzen ISO 2768-mK		Kanten ISO 13715	Maßstab 1 : 1 [Gewicht]
Verwendungsbereich		Datum 03.05.2022	Name Kanz
		Datum 03.05.2022	Name Kanz
		Erst 03.05.2022	Name Kanz
		Bearb. 03.05.2022	Name Kanz
		Freig.	
		Kd-Fr.	
		EPL-H84/2	
		40080323-2-E19-K-M465	
		Blatt 2 / 2	
		A2	
Zust.	Änderungen	Datum	Name
			Ursprung

