

i =	3	4	5	7	10
nominal output torque (Nm)	75	100	85	54	40
max. acceleration torque (Nm)	120	130	110	100	75
emergency torque (Nm)	160	216	216	216	160

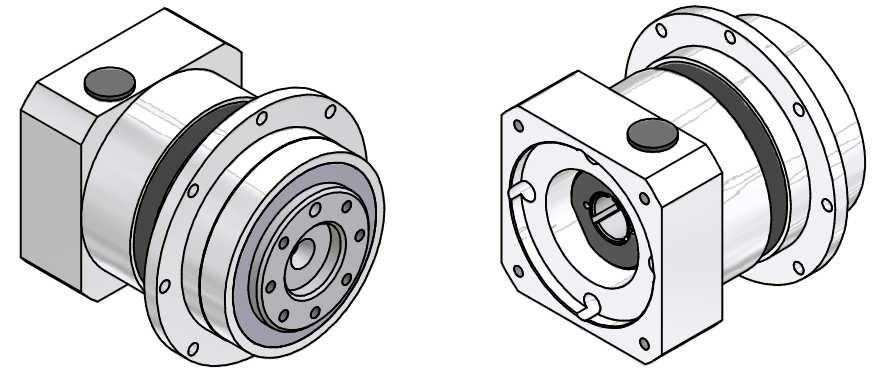
output shaft bearing: grooved ball bearing 2RS

- max. radial load: 1.800N bei n2=100 1/min Lh > 10.000h
- max. axial load: 3.000N bei n2=100 1/min Lh > 10.000h
- reference to shaft center at temp. = 30°C

straight-toothed planetary gearbox  
backlash at output shaft: ≤ 8 arcmin  
lifetime: > 30.000h  
efficiency: by rated load 94% (depends on ratio)  
lubrication: lifetime-lubrication  
nominal output torque at n1 = 3.000 1/min  
operating temperature: -20°C bis +90°C  
motor mounting: M2 (stocked driving pinion)

- torque of clamping screw: 9Nm

operation mode: S1  
operation ratio: cB1  
protection system: IP65



consider mounting instruction  
subject to modifications

Allgemein- toleranzen ISO 2768-mK		Kanten ISO 13715	Maßstab 1 : 1 [Gewicht]
Verwendungsbereich		Datum 02.11.2020	Name Kanz
		Bearb. 16.11.2020	Name Kanz
		Freig.	
		Kd-Fr.	
EPLFE90/1			Blatt 2 / 2
40090300-1-E19-K-M475			A2
Zust.	Änderungen	Datum	Name
			Ursprung

