

i =	12	16	20	25	35	40	50	70	100
nominal output torque (Nm)	500	500	500	460	460	500	460	340	190
max. acceleration torque (Nm)	500	500	500	460	460	500	460	460	340
emergency torque (Nm)	860	1000	1000	1000	1000	1000	1000	1000	800

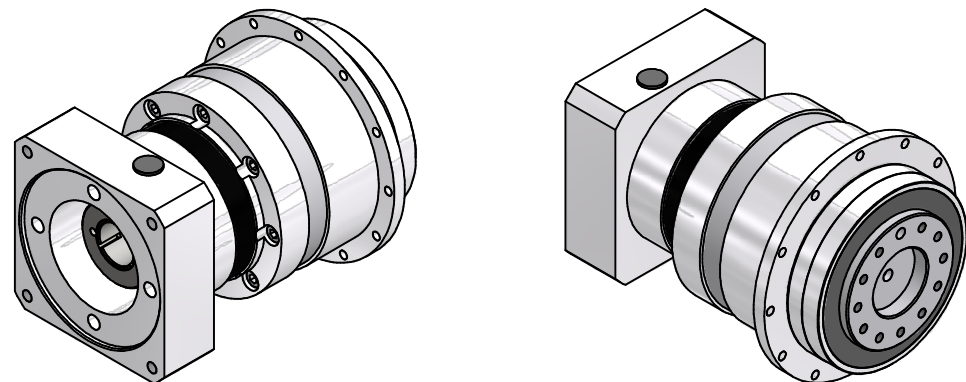
output shaft bearing: grooved ball bearing 2RS

- max. radial load: 16.500N bei n2=100 1/min Lh > 10.000h
- max. axial load: 6.100N bei n2=100 1/min Lh > 10.000h
- reference to shaft center at temp. = 30°C

straight-toothed planetary gearbox
backlash at output shaft: ≤ 10 arcmin
lifetime: > 30.000h
efficiency: by rated load 92% (depends on ratio)
lubrication: lifetime-lubrication
nominal output torque at n1 = 3.000 1/min
operating temperature: -20°C bis +90°C
motor mounting: M2 (stocked driving pinion)

- torque of clamping screw: 35Nm

operation mode: S1
operation ratio: cB1
protection system: IP65



consider mounting instruction
subject to modifications

Allgemein-toleranzen ISO 2768-mK		Kanten ISO 13715	Maßstab 1:2 [Gewicht]
Verwendungsbereich		Datum 07.12.2020	Name Kanz
		Datum 08.12.2020	Name Kanz
		Freig.	
		Kd-Fr.	
EPLFE140/2			Blatt 2 / 2
40140301-2-E32-K-M479			A2
Zust.	Änderungen	Datum	Name
			Ursprung

