

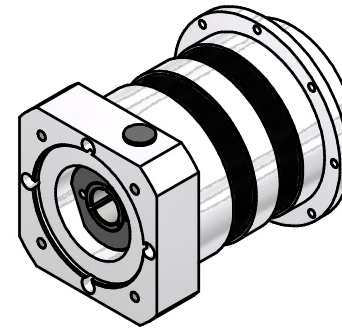
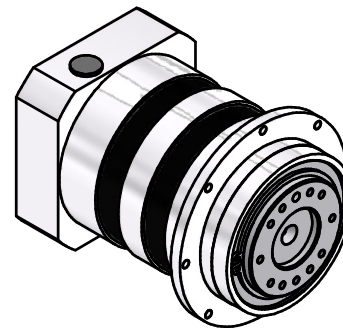
i =	12	16	20	25	35	40	50	70	100
nominal output torque (Nm)	260	320	320	260	260	320	260	210	165
max. acceleration torque (Nm)	310	380	380	350	350	380	350	255	180
emergency torque (Nm)	400	480	480	480	480	480	480	480	410

output shaft bearing: grooved ball bearing 2RS
 ● max. radial load: 2.600N bei n₂=100 1/min L_h > 10.000h
 ● max. axial load: 3.600N bei n₂=100 1/min L_h > 10.000h
 ● reference to shaft center at temp. = 30°C

straight-toothed planetary gearbox
 backlash at output shaft: ≤ 10 arcmin
 lifetime: > 30.000h
 efficiency: by rated load 92% (depends on ratio)
 lubrication: lifetime-lubrication
 nominal output torque at n₁ = 3.000 1/min
 operating temperature: -20°C bis +90°C
 motor mounting: M2 (stocked driving pinion)

● torque of clamping screw: 20Nm
 operation mode: S1
 operation ratio: cB1
 protection system: IP65

consider mounting instruction
 subject to modifications



		Allgemein- toleranzen	Kanten ISO	Maßstab 1 : 2	(Gewicht)
		ISO 2768-mK	13715	Werkstoff, Halbzeug	
Verwendungsbereich		Datum	Name	Rohteil-Nr.	
		Erst. 17.11.2020	Kanz	Modell- oder Gesenk-Nr.	
		Bearb. 25.11.2020	Kanz	EPLFE110/2	
		Freig.			
		Kd-Fr.			
		Eisele ANTRIEBSTECHNIK		41100301-2-E24-K-M477	Blatt 2 / 2
Zust.	Änderungen	Datum	Name	Ursprung	A3